

# Assembly Guide

SSBK510  
Saddle Stool Back Kit



## Tools Needed



Cordless Drill

+



#2 Square Drive Bit

## Hardware Included

A  
x 2



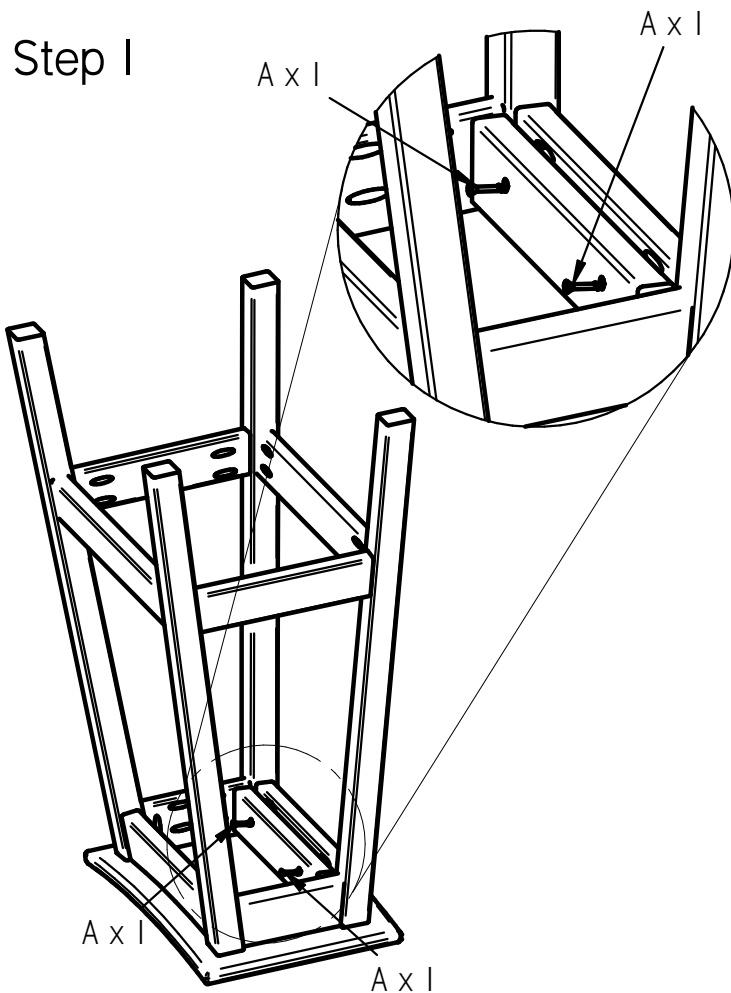
1 3/4" Buglehead Screws

B  
x 4



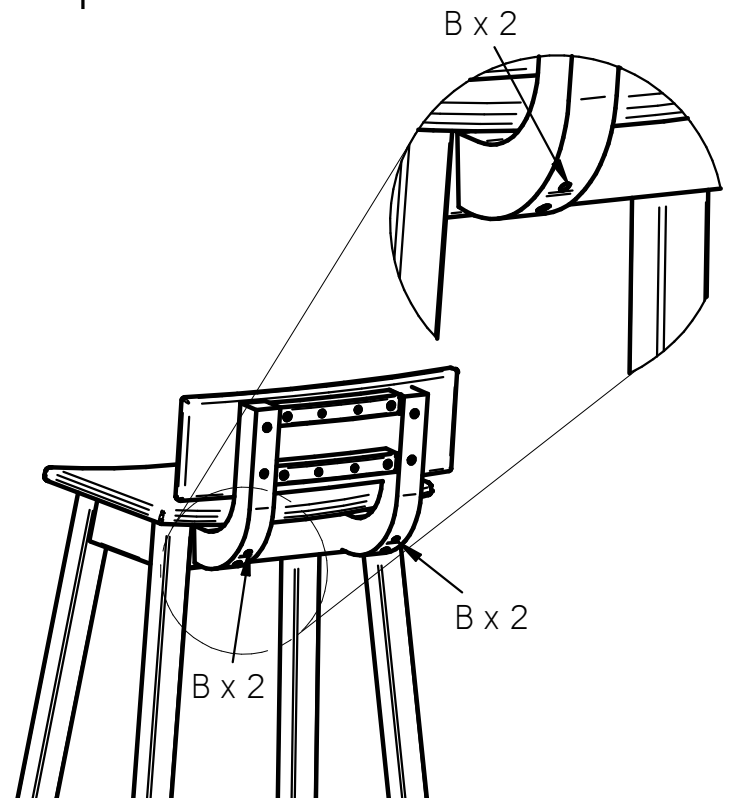
4" Buglehead Screws

## Step 1



Turning your Saddle Stool upside down, fasten the included support board on the inside of the seat support you plan to attach the back kit to. Place it downward against the seat part of the stool. Fasten the support board using the 1  $\frac{3}{4}$  inch screws (A) in the pre-drilled holes.

## Step 2



### Up & Down Placement:

Evenly divide the spacing on the bottom and top of the back support

### Side to Side Placement:

Evenly divide the spacing on each side of the back supports.

Fasten the Back Kit using the 4 Inch Screws (B) in the pre-drilled holes.