

Assembly Guide

RTCT2921
Rectangular Coffee Table



Hardware Included



1/4" x 1 1/2" Lag

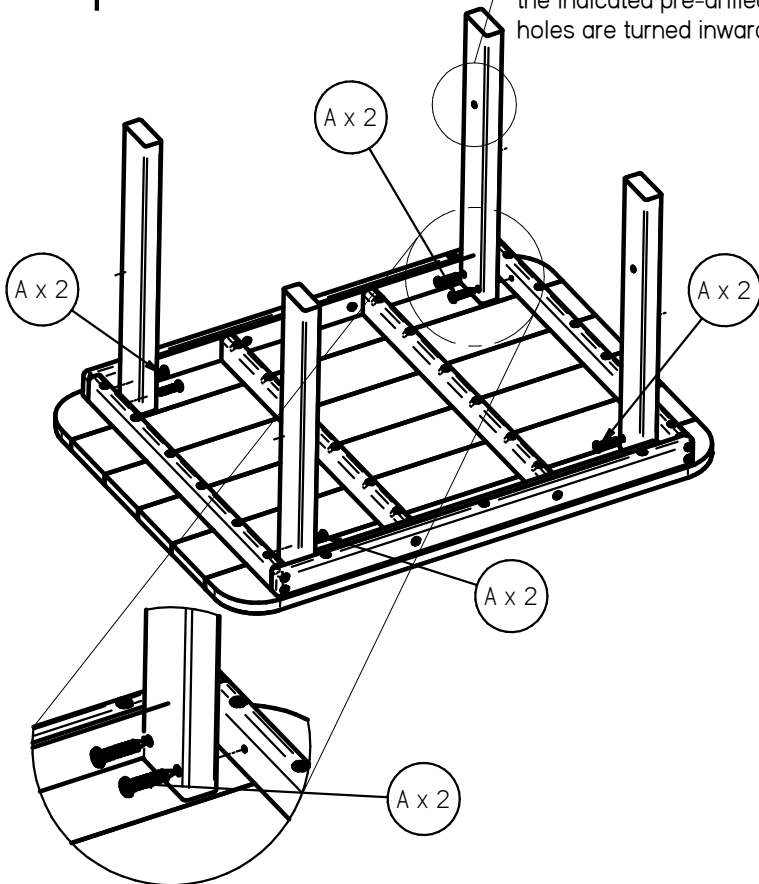
Tools Needed



Allen Wrench (included)

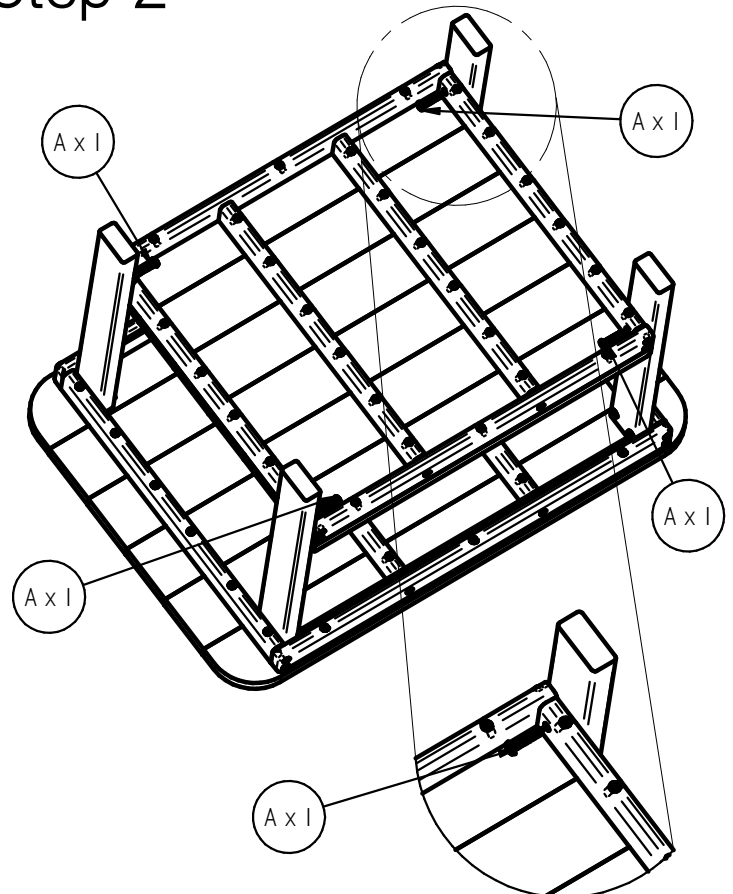
Step 1

Note:
Please ensure that
the indicated pre-drilled
holes are turned inward



Top & Leg Assembly Detail

Step 2



Shelf Attachment Detail